

LHS 15: Tiny and reliable.

The tiny air heater provides hot air up to 650 °C. All prominent features of Leister air heaters also are offered with this tiny heater: long-life heating element, reliable protection systems, standard interfaces. Simply summarizing – the same Leister quality as usual. This makes it a perfect tool for applications in Semiconductor, Electronics, Automotive and other industries.

Air heater

LHS 15



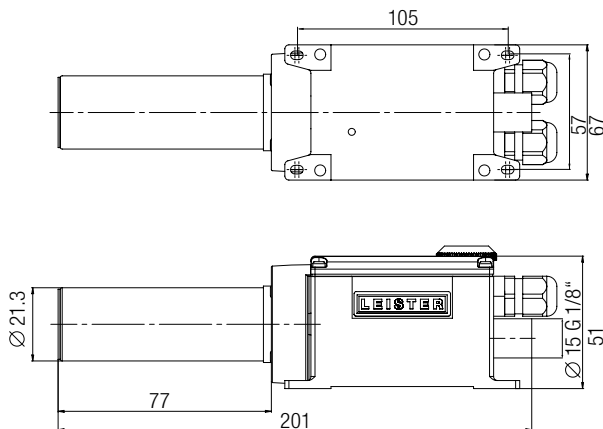
Technical data

Max. air outlet temperature	°C	650
Max. air inlet temperature	°C	65
Max. ambient temperature	°C	65
Min. air flow		As per diagram
Max. inlet pressure	kPa	100
Weight	kg	0.48

Conformity mark	CE
Approval mark	Ⓢ
Protection class II	□

Minimum quantity of air at air inlet temperature of 20°C at 100% heating power

Installation dimensions in mm



Combination possibilities

- Leister air heater at maximum heat power and without nozzle with Leister blower at 50 Hz, 1.5 m hose length and unimpeded air outflow.
- Hot-air temperature 3 mm after air outlet, measured at the hottest point.
- Air flow at 20 °C, 100.0 kPa compliant with ISO 6358.

Power Typ	Number LHS 15 x power cons. kW	Air flow l/min.	Temperatur °C
ROBUST	1 × 0.77	1 × 150	420
ROBUST	2 × 0.77	2 × 130	460

Air flow and temperature values may deviate from those above based on the design of the entire hot-air system (including nozzles, air hoses, environmental conditions).



Deflashing foil sleeves from charcoal filter elements

Air heater

LHS 15 CLASSIC



Heating power not adjustable

Detection of heating element and device overheating with alarm output

Air heater

LHS 15 PREMIUM



Heating power steplessly adjustable with potentiometer

Protection against heating element and device overheating with alarm output

Air heater

LHS 15 SYSTEM



Heating power or temperature steplessly adjustable with potentiometer or remote control interface

Protection against heating element and device overheating with alarm output

Remote control interface for external temperature controllers (Leister CSS, or PLCs)

Air Heaters
Controllers

Order no.:	CLASSIC	PREMIUM	SYSTEM
LHS 15 0.55 kW/120 V	139.873	139.908	139.894
LHS 15 0.77 kW/230 V	139.874	139.893	139.895

Contact a Leister sales partner in your region for professional advice and information on our other air heaters and blowers.

